



The sensors of belt coming off checking - ДКСЛ-В-03

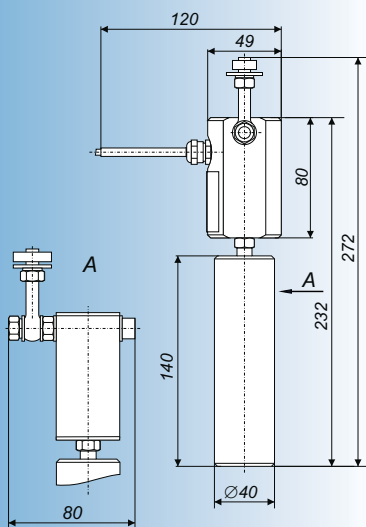
The sensors of belt coming off checking ДКСЛ-В-03-series are designed for emergency belt coming off checking and giving the signal (by completing or breaking an electric circuit) to a system of remote or automatic control. The sensors are made according to GOST (State standard) 24754-81, conform to the electrical equipment mine regular MN-2 and must be used on the conveyors that operate in enterprises of various industries, in drift mining that are not dangerous with respect to gas, vapour and dust explosion.

The product is based on sensor of the critical angle of inclination (utility patent №110473 of 20.10.2011), which does not contain mercury as distinct from their foreign counterparts. The sensors of ДКСЛ-В-03-АП-series in anticorrosive execution in polyformaldehyde housing are available for manufacturing for operation in the corrosive medium conditions.

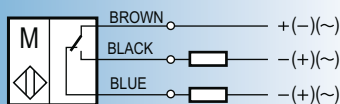


Does not contain MERCURY!
Does not require special DISPOSAL!

Sensor dimensions



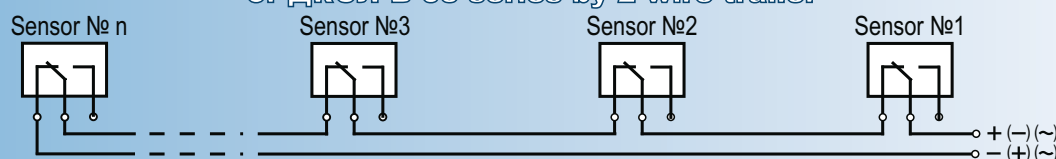
Wiring diagrams:



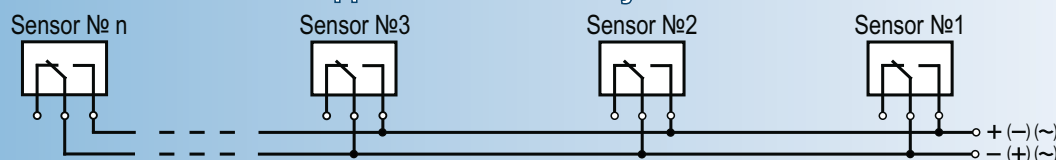
Specifications:

Denomination - sensors of ДКСЛ-В-03-series	
Angle of actuation, degree	30
Switching voltage, V	0,05 - 200DC/0,05 - 250AC
Switching current, I _{max} , A	1000
Power handling, W	30
Resistance, Ohm, not more than	0,15
Operating temperature range, °C	<ul style="list-style-type: none"> • high- temperature - BT t= -15°...+105°C; • typical execution t= -25°...+75°C; • low-temperature - HT t= -45°...+65°C; • low-temperature - 2HT t=-60...+50°C
Protection degree	IP67
Cable connection, L=2m when ordering other lengths, indicate the number of meters in the end of the denomination (see example of notation)	3x0,34 mm ²
Sensor's housing material	housing - Д16Т with polymer coat or polyamide, roller - polyamide, steel 45
Dimensions, mm	40x50x220
Weight, kg	0,8

Several sensors series connection mode of ДКСЛ-В-03-series by 2 wire trailer



Several sensors shunt connection mode of ДКСЛ-В-03-series by 2 wire trailer





Sensors of ДКСЛ-В-03-series are available for manufacturing in several versions that differ from each other in operating temperature ranges and cable length.

Example of sensor notation in the documentation and orders:

ДКСЛ - В - 03 - HT - 3

Type of sensor contact: _____

transfer

Temperature range of usage: _____

HT - -45°...+65°C;

2HT- -60°...+50°C;

BT - -15°...+105°C;

no marking - -25°...+75°C.

Cable length: _____

3 - cable length in meters, if no marking in denomination - 2 m

Sensors of ДКСЛ-В-03-series have a number of constructive and schematic designs that allows to give preference to this product :

- circuit diagram requires no power;
- capacity of connection a large number of sensors in one cable trail in series;
- capacity of determining an address of sensor that snapped into action (this option is available when connecting to conveyor control device УКК - «Адрес» and having an address unit);
- conveyor belt affects the sensor with a receiving roller with molded rolling-contact bearing which provides its rotation. This constructive design considerably reduces the mechanical wear of the sensor caused by the belt, provides high durability of the product;
- high protection degree according to GOST 14254-96 – IP67;
- connection through the terminal-block box (option) makes easier to connect the sensor to the circuit , allows to place the address unit into it if necessary;
- available for manufacturing of resistant to corrosive mediums materials .

Optional equipment for the sensors of ДКСЛ-В-03-series

Brackets №7 и №8 - are designed for setting the sensors of belt coming off checking of ДКСЛ-В-03-series on conveyor flight. The brackets provides three-dimensional positioning of the sensors, considerably simplifying its installation adjustment and make it possible to use them on the conveyor with inclined flight. A bracket is provided with adjusting holes for fastening terminal-block box KM-1 or KM-2:

Terminal-block boxes KM-1 и KM-2 are designed for connecting and branching wires and control cable conductors with the cross section from 0,25 to 4 mm² when installing primary sensors of the set "Control" and devices of secondary switching.

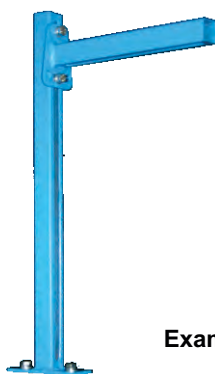
Brackets

№7



weight 2 kg

№8



weight 1,46 kg

Terminal-block boxes



	Terminal-block box KM-1...	Terminal-block box KM-2...
Maximum terminal-blocks number	5	16
Cross section of a conn. wire, mm ²	0,25 - 4	
Cable lead-in numbers/ diameter of leading-in cable, mm	3 / 4 - 9	
Housing material/ coat	aluminium alloy ADC-10/ polymer powder according to GOST 9-410-88	
Dimensions, mm	52x75x80	57x80x125
Protection degree	Ip65	
Weight, gr.	280	550

Example of sensor notation in the documentation and orders: Terminal-block box **KM-2-12**

KM-2 - terminal-block box 125x80x57; _____

12 - terminal-blocks number. _____