



Sensors of attitude checking of load (cross-cut break of belt) - ДКПГ-...

Sensors inductive of ДКПГ-...-series - are designed for conveyor belt cross break checking. They are installed on a frame of tension station (tensioner) in the extreme permissible positions of the load platform. When cross breaking a belt, load platform falls down and gets into the sensor sensitive area, this changes its logic signal. DKPG sensor can be used to control unauthorized openings of enclosures, manholes, observation windows.



Specifications:

Denomination - sensors of ДКПГ-I7(A8*)-...-series

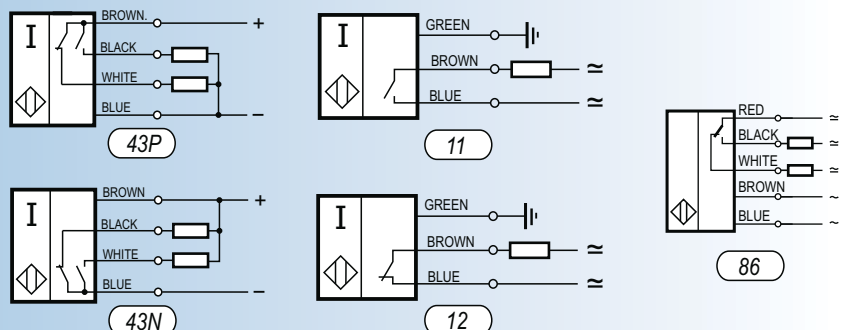
4-wire DC voltage sensors

2-wire AC/DC voltage sensors + ground wire

5-wire AC voltage sensors with relay output

	... 43P ... 43N	... 11 ... 12	... 86
	Actuation distance, mm		50(10*)
Voltage supply, V	10...30 DC	20...250AC/20...320DC	220 AC
Switching voltage of load by relay contacts, V	-	-	240 AC / 60 DC
Max. switching current, I _{max} mA	400	500	500
Residual current, I mA	-	≤1,87	-
Surge current when t=20ms	-	3A, f=1 Hz	-
Voltage drop when I _{max} , V	≤2,5	≤5	-
Operating temperature range, °C	t= -15°...+105°C	t= -25°...+75°C t= -45°...+65°C	t= -15°...+85°C
• high-temperature - BT • typical execution • low-temperature - HT • low-temperature - 2HT			
Protection degree		Ip65 (IP67*)	
Cable connection, L=2m	4x0,25 mm ²	3x0,34 mm ²	5x0,25 mm ²
when ordering other lengths, indicate the number of meters in the end of the denomination (see example of notation)			
Dimensions, mm	ДКПГ-I7... - 80x80x40; ДКПГ- A8... - M30x1,5x65	ДКПГ-I7... - 80x80x40 ДКПГ- A8... - M30x1,5x112	ДКПГ- A8-86 M30x1,5x150

Wire diagrams:



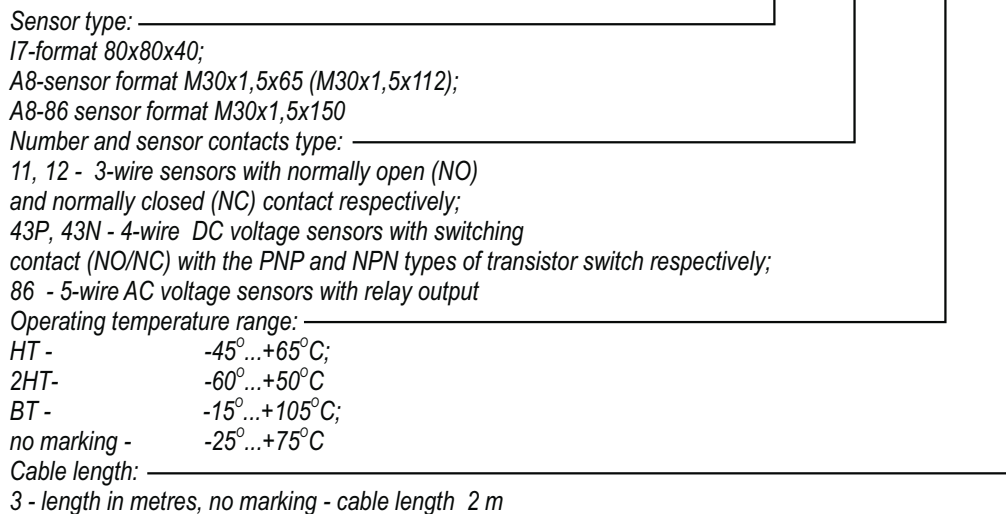
CONVEYOR AUTOMATION



Sensors of ДКПГ-...-series are available for manufacturing in several versions that differ from each other in wiring diagram, supply voltage, operating temperature ranges and cable length.

Example of sensor notation in the documentation and orders:

ДКПГ - 17 - 43N - HT - 3

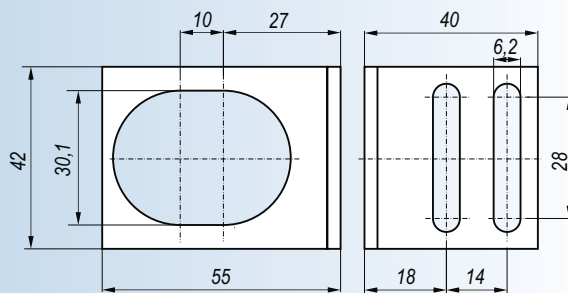


Optional equipment for sensors of ДКПГ-A8-...-series



Bracket №10

Bracket №10 is designed for installation and adjustment of ДКПГ-A8- sensor on setting point.



«Pilot Production «Technologies of Control» Co. Ltd

630117, Novosibirsk, Arbuzova street, 2a
 Phone: (383) 332-49-32, 299-32-02, 335-64-09
 sale@op-teko.ru www.op-teko.ru