



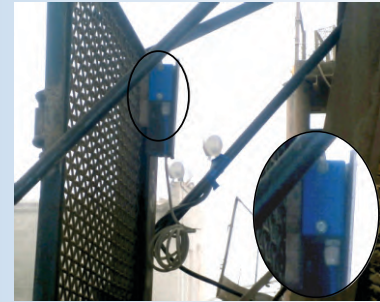
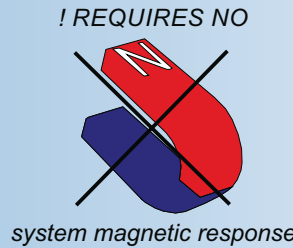
Sensor of enclosure hermetically sealed- ДОГ 123-10-...

Sensor of enclosure of ДОГ 123-10-...-series - is designed for metal enclosures attitude control and to produce the signal into remote or automatic control circuit in case of its unauthorized openings (by completing or breaking an electric circuit).

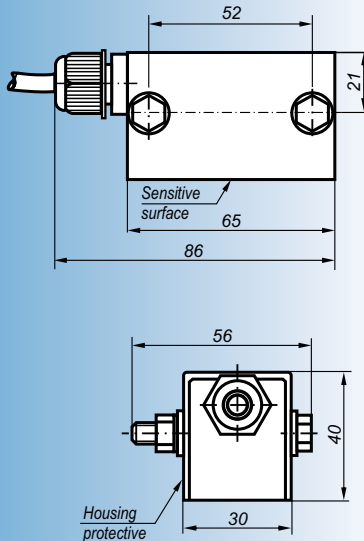
The sensor can be used for positioning of an access control systems items (of gates, doors, windows, hatches, barriers etc.) in the other production lines and factories .

A distinctive feature of this hermetically sealed sensor is **single-unit execution**.

It requires no magnetic response to operate, as distinct from the well-known counterparts, that makes an installation and a setting much easier and extends the application of the sensor in many cases. The product is based on the principle of operation which is secured by the patent **№126191** of 20.03.2013 - "Sensor of attitude determining of an item made of magnetic material", the patentee - "Pilot Production "Technologies of Control" Co. Ltd.

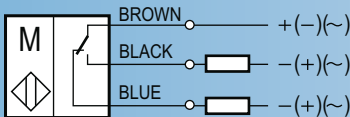


Denomination - sensors ДОГ 123-10-...

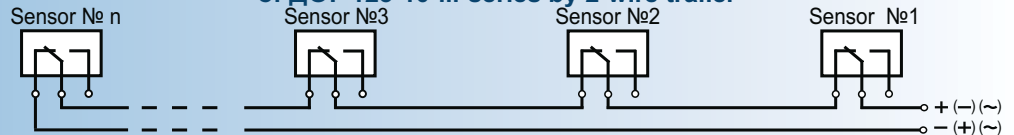


Actuation distance, mm	10
Switching voltage, V	0,05 - 200 DC/0,05 - 250 AC
Switching current, I _{max} mA	1000
Power handling, W	30
Resistance, Ohm, not more than	0,15
Operating temperature range, °C	
• high- temperature - BT	t= -15° ...+105°C;
• typical execution	t= -25° ...+75°C;
• low-temperature - HT	t= -45° ...+65°C;
• low-temperature - 2HT	t=-60...+50°C
Protection degree	IP67
Cable connection, L=2m	3x0,34 mm ²
when ordering other lengths, indicate the number of meters in the end of the denomination (see example of notation)	
Case material of sensor/housing	Д16Т / steel 20
Dimensions, mm	40x50x65
Weight, kg	0,2

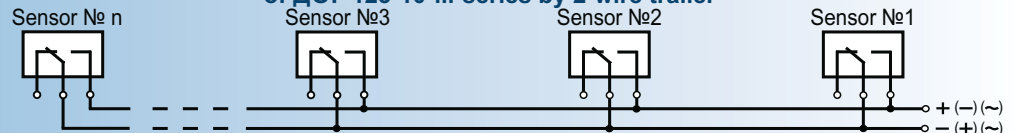
Wiring diagram:



Several sensors series connection mode of ДОГ 123-10-...-series by 2-wire trailer



Several sensors shunt connection mode of ДОГ 123-10-...-series by 2-wire trailer



Optional equipment for the sensor ДОГ 123-10-...

Bracket №12- is designed for installation and setting of sensors of ДОГ 123-10-series



Example of sensor notation in the documentation and orders:

